

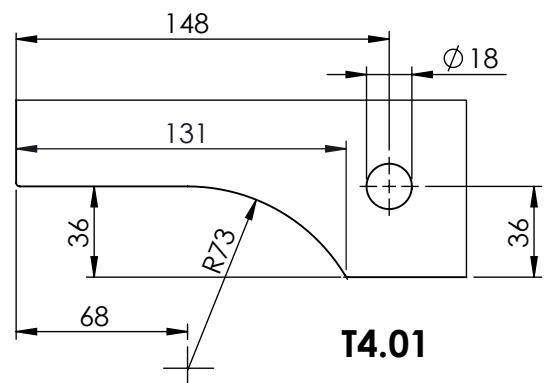
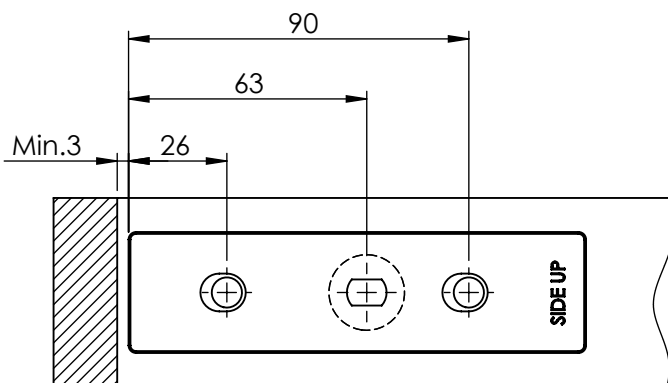
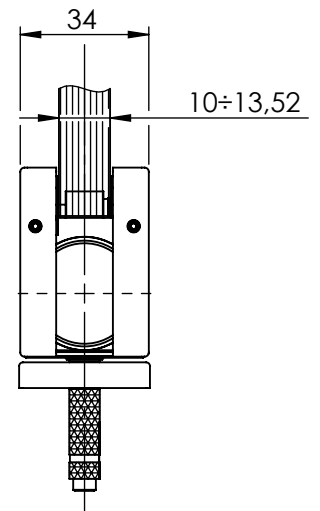
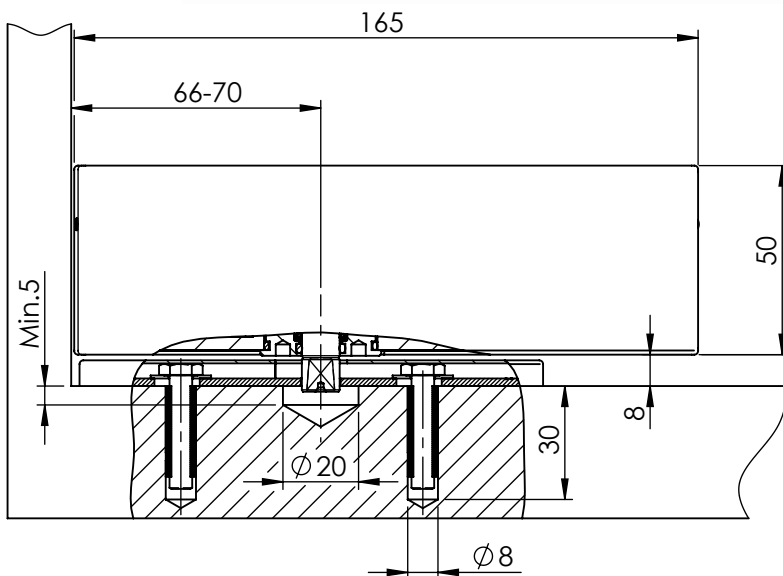
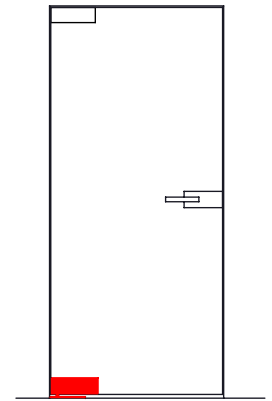
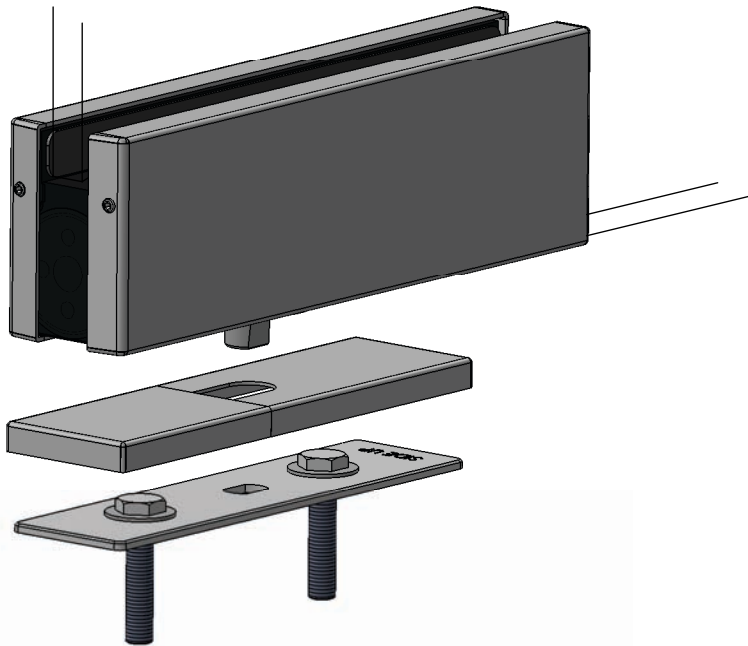
**speedy**  
**FRENUM**  
 INSTRUCTIONS



A RAINBOW IN  
 GLASS COMPETENCE



WWW.SBYC.IT



**T4.01**

SPEEDYBYCASMA SRL

Tel. +39 02 97298418 +39 02 87188746 - WWW.SBYC.IT - INFO@SBYC.IT

# speedy

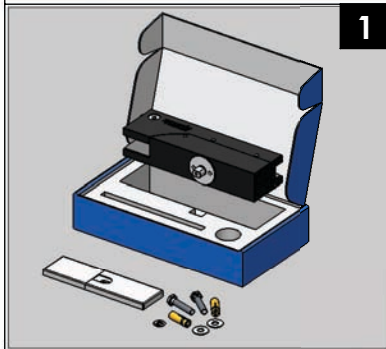
## FRENUM

### INSTRUCTIONS

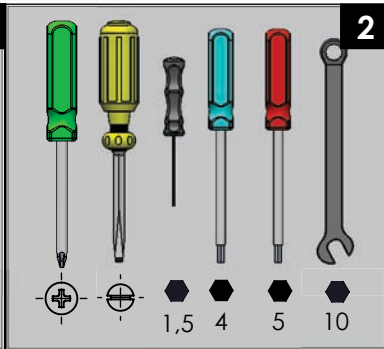


A RAINBOW IN  
GLASS COMPETENCE

WWW.SBYC.IT

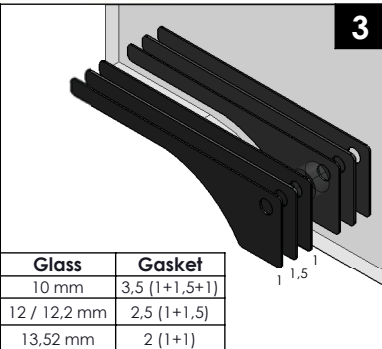


1

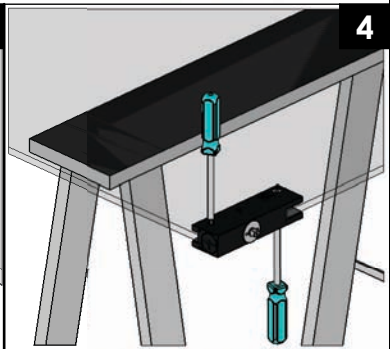


2

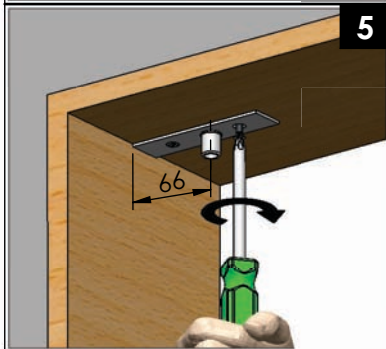
Glass	Gasket
10 mm	3,5 (1+1,5+1)
12 / 12,2 mm	2,5 (1+1,5)
13,52 mm	2 (1+1)



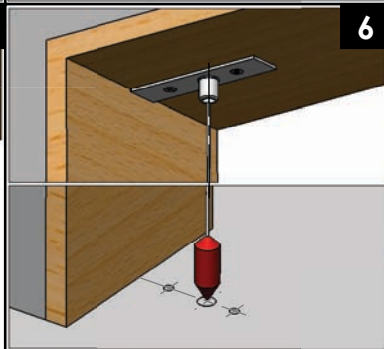
3



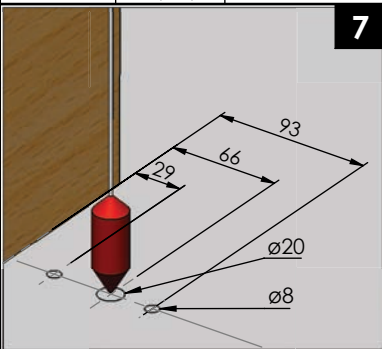
4



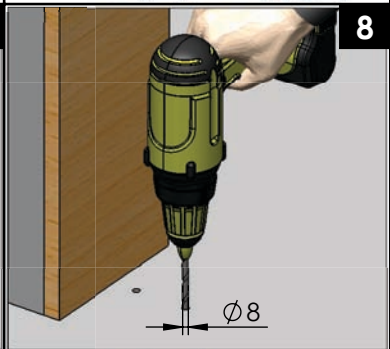
5



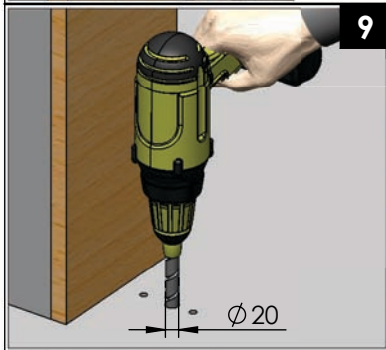
6



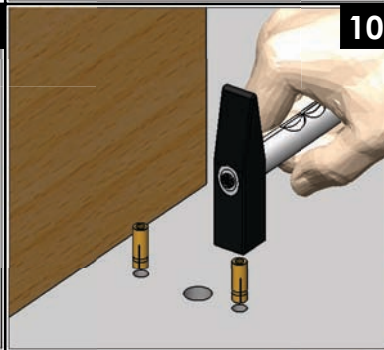
7



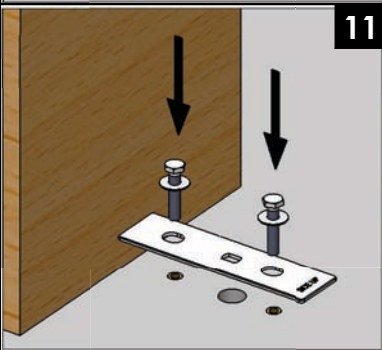
8



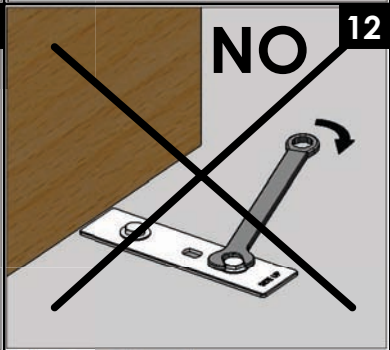
9



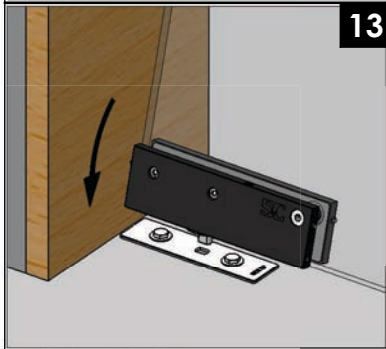
10



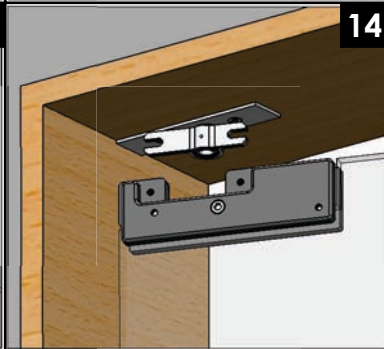
11



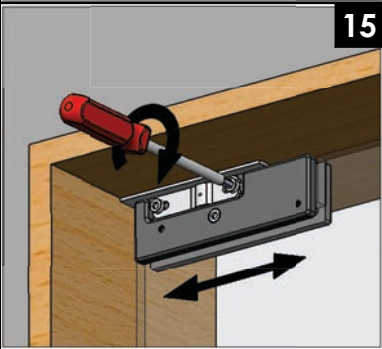
12



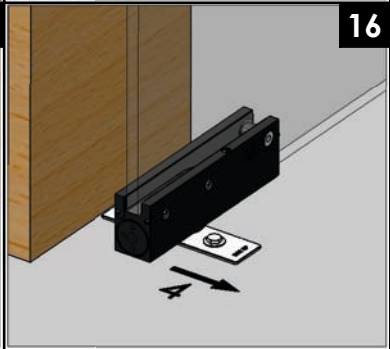
13



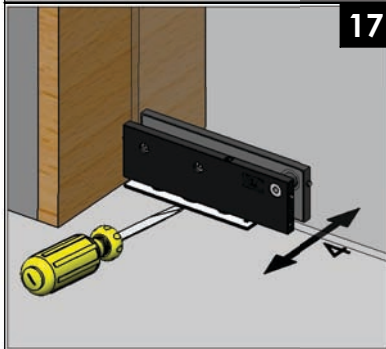
14



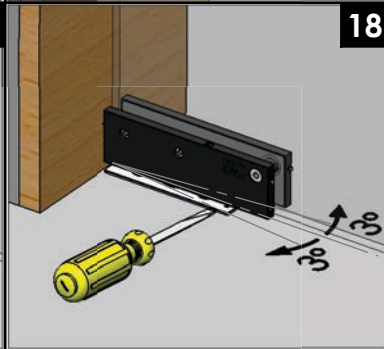
15



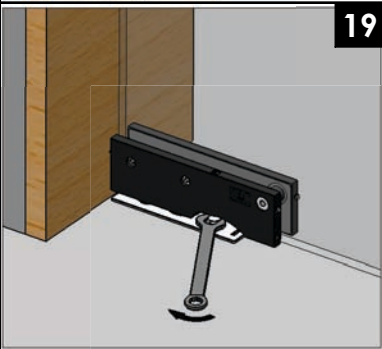
16



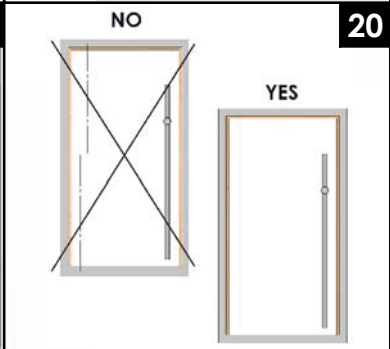
17



18



19



20

SPEEDYBYCASHA SRL

Tel. +39 02 97298418 +39 02 87188746 - WWW.SBYC.IT - INFO@SBYC.IT

# speedy

## FRENUM

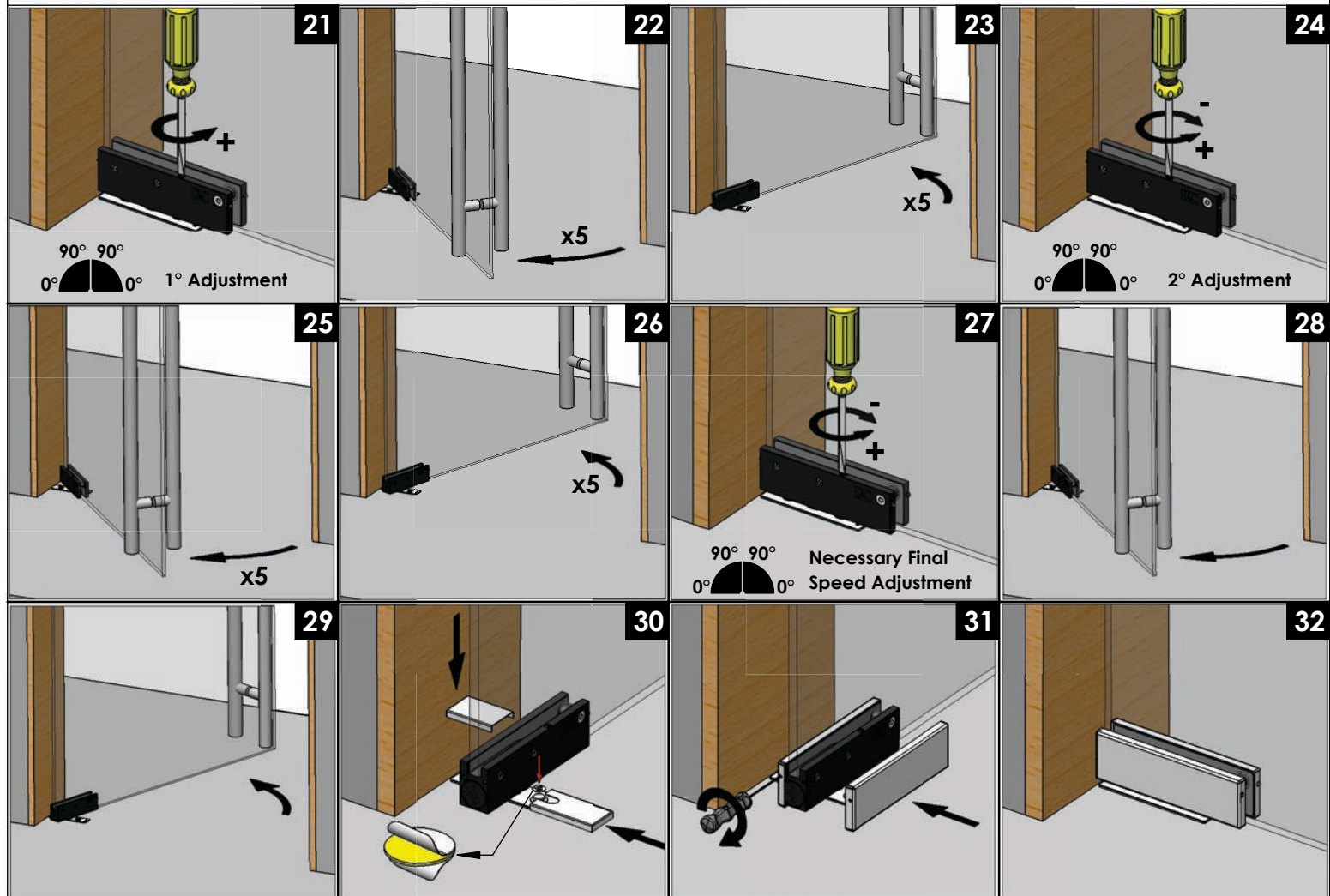
### INSTRUCTIONS



A RAINBOW IN  
GLASS COMPETENCE

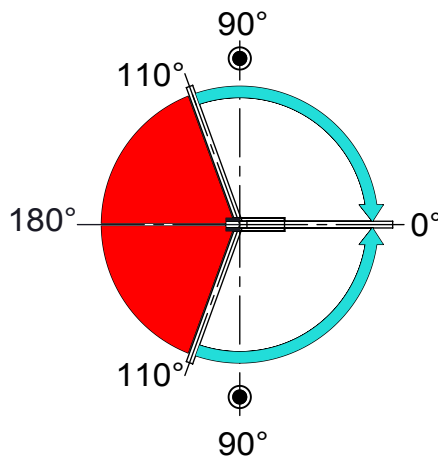


WWW.SBYC.IT

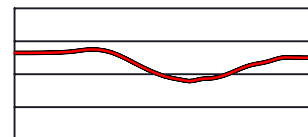


● FERMO  
hold-open  
Retenció

● LIMITE OPERATIVO  
Working Limit  
Limite Funcional



EASY OPENING



Max 100Kg

900

SPEEDYBYCASMA SRL

Tel. +39 02 97298418 +39 02 87188746 - WWW.SBYC.IT - INFO@SBYC.IT

Product details		Dati prodotto
Type	<b>Hydraulic hinge closer / Cerniera chiudiporta</b>	Tipologia
Denomination	<b>Speedy Frenum</b>	Denominazione
Code	<b>4FR1NA096990004</b>	Codice

Attestation details		Dati attestazione						
System of attestation of conformity	<b>4</b>	Sistema di attestazione della conformità						
Standard reference	<b>UNI EN 1154:2003</b>	Norma di riferimento						
Classification	<table border="1" style="display: inline-table; vertical-align: middle;"> <tr> <td style="text-align: center;">3</td> <td style="text-align: center;">8</td> <td style="text-align: center;">2</td> <td style="text-align: center;">0</td> <td style="text-align: center;">1</td> <td style="text-align: center;">3</td> </tr> </table>	3	8	2	0	1	3	Classificazione
3	8	2	0	1	3			

Test details		Dati prova
Quality plan	<b>PQ 1003-020</b>	Piano qualità
Reerence test started on	<b>07.10.2017</b>	Prova di riferimento iniziata il
Actual test level	<b>03</b>	Livello attuale prova
Actual test date	<b>07.10.2017</b>	Data prova attuale

Issue date Data di emissione	Current issue Emissione corrente	Technical Manager Responsabile tecnico
<b>07.10.2017</b>	<b>28.05.2019</b>	